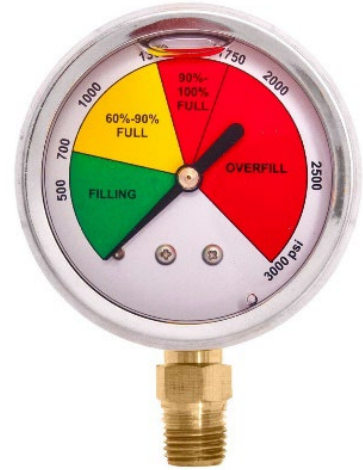


Liquid Filled Pressure Gauges – Lower Mount

Color Compact Face
 Stainless Steel Case

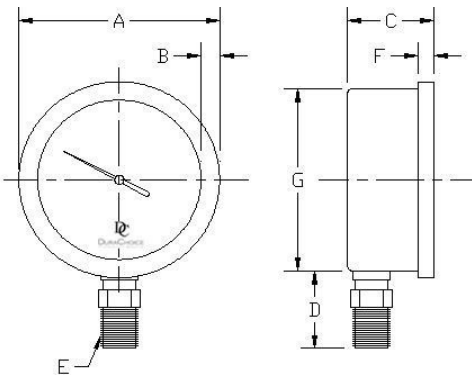
Specifications:

Dial Size:	2-1/2" or 4" Dial Sizes (Crimped Casing)
Accuracy:	+/- 3/2/3%
Scale:	Dual Scale - PSI / Bar
Movement:	Copper Alloy*
Bourdon Tube:	Copper Alloy*
Pointer	Aluminum Black
Oil Cap	Rubber Black
Window:	Polycarbonate
Case:	Stainless Steel case for protection in harsh environments
Connection:	Copper Alloy Lower Mount*; 1/4" NPT for 2-1/2" dials and 4" dials
Normal Ambient Temp:	-4°F to 140°F
Liquid Filling:	(-20°C to 60°C) Glycerin oil filled to enhance reliability and integrity; helps dampen the effect of vibration and pulsation; lubricates the movement and extends the life of the gauge



	2-1/2"	4"
Range	Part #	Part #
3,000 PSI	PB254L-K03CPMT	PB404L-K03CPMT

Dimensions:



SIZE	KEY	A	B	C	D	E	F	G
2-1/2"	in	2.67	0.24	1.19	1.16	1/4" NPT	0.26	2.44
	mm	68	6.1	30	29	1/4" NPT	6.5	62
4"	in	4.3	0.3	1.42	1.29	1/4" NPT	0.29	3.91
	mm	109	7.6	36	32.8	1/4" NPT	7.4	99

Information provided here may change without notification. Other sizes and ranges are available by special order.

This DuraChoice gauge is specifically designed for industrial grade waste trucks. Color on the dial indicates when truck is getting full or overfilled. Available in 2 1/2" and 4" sized dials, and a 3,000 PSI (WOG) range. 1-Year Warranty.

▲ * California Prop 65 WARNING: This product can expose you to chemicals such as lead, which is known to the State of California to cause cancer, birth defects or reproductive harm.